

## VALOUR 2203 Basin Mixer 110mm

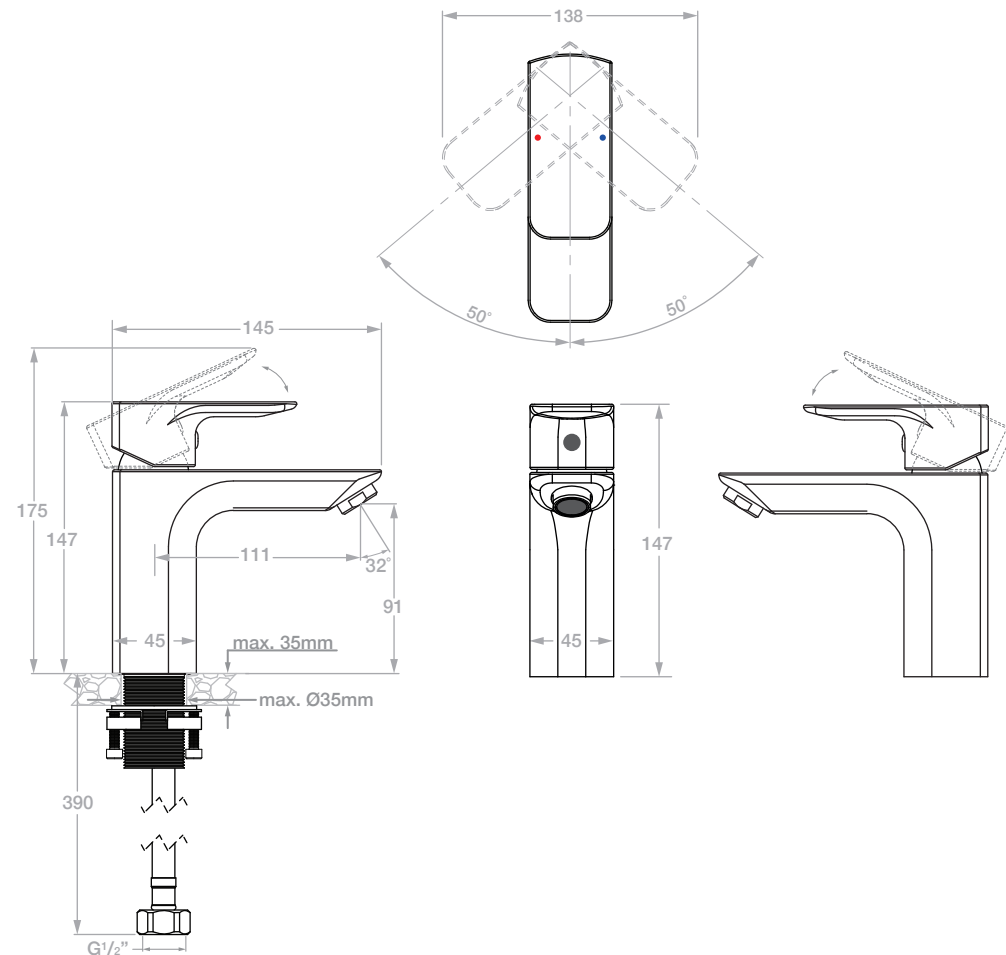
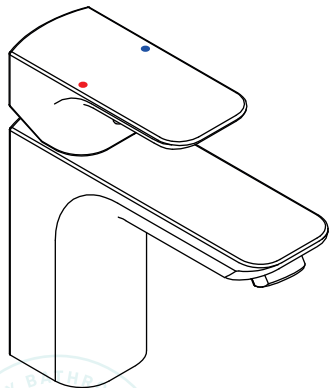
**Model:** TPLR2203####

(\*where #### is the relevant finish code)

\*\*Please note that not all finishes are available as a stocked product in all countries.  
Additional surcharges, MOQ's and longer lead times may apply.

**Material:** DZR Brass  
**Cartridge:** SEDAL  
**Standard Flow Rate:** 5.0l/min (@ 300kPa)  
**Connection Type:** G1/2" Connections

**Fixing / Mounting System:**  
Double-Locking mounting system  
**Suitable to be installed:**  
Counter top maximum thickness of 35mm  
or directly on a suitable basin



Dimensions given are in mm. LIQUIDRed® reserves the right to alter and /or remove designs from time to time without prior notice.  
This drawing is to be used for reference purposes only. E &O.E.

Copyright LIQUIDRED® 2022